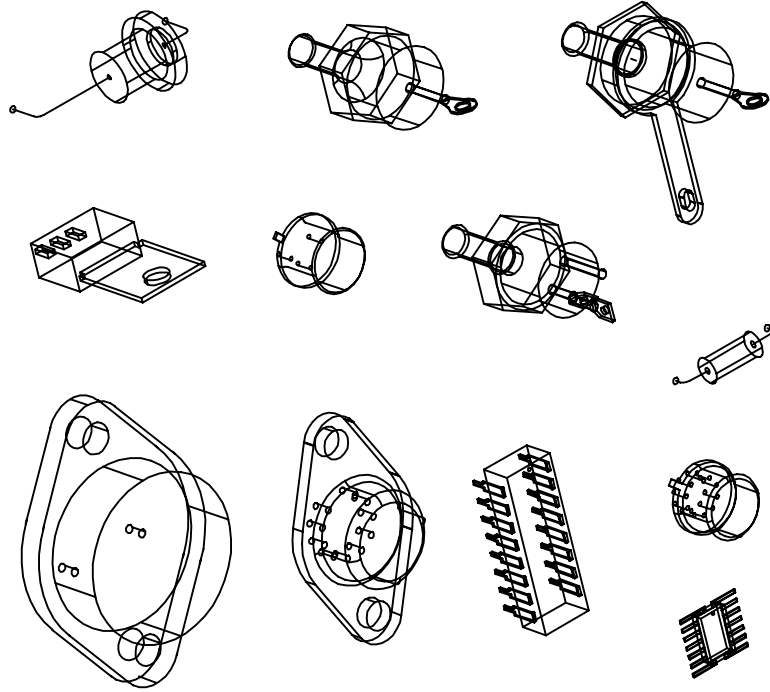


EXAMPLE 3D COMPONENTS - SHOWN IN ISOMETRIC



PRODUCT #3300 - ECOMP-3D
NOTE: The illustrations on these index
pages are 2D representations of
the 3D symbols

EXAMPLE COVER PAGE